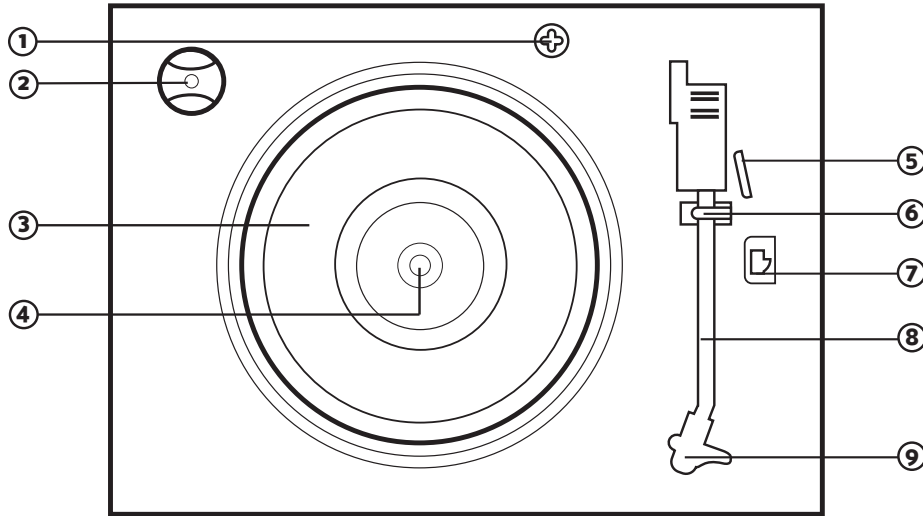


## PRODUCT INFORMATION



1. Transit Screw
2. 45 Adapter
3. Platter
4. Spindle
5. Cueing Lever
6. Tonearm Lock
7. Speed Selector (33/45/78 RPM)
8. Tonearm
9. Stylus

### IMPORTANT

*Before playing, please remove packaging foam on top of the Turntable. Then use a screwdriver to turn the Transit Screw in a clockwise direction until the screw is fully down to unlock the Turntable*

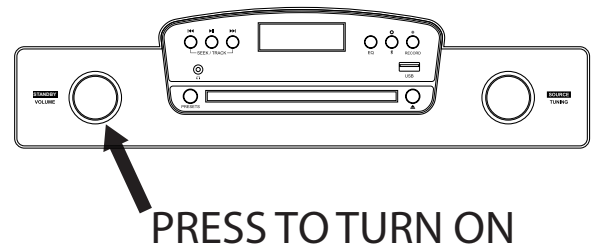
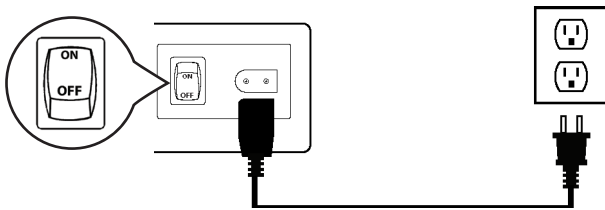
## FIRST TIME USE

1. Plug in the unit and set to Phono function
2. Ensure the Transit Screw is fully down for playback
3. Place a record on the Platter. If playing a 7" record place the 45 Adapter on the Spindle in the center of the Platter
4. Ensure the Speed Selector is set to the proper speed (33, 45, or 78)
5. Remove the plastic stylus protector from the end of the Tonearm
6. Unlock the Tonearm Lock and Raise the Tonearm using the Cueing Lever
7. Position the Needle over the edge of the record
8. Lower the Tonearm using the Cueing Lever
9. The Turntable will stop spinning at end of album

*NOTE: Always lock Tonearm when record player is not in use*

## POWER ON FOR FIRST TIME

1. Plug in the unit and set the rear Power Switch to ON
2. Press the Standby Knob to turn on the unit



**Questions?** Give us a chance to help, we're just a click away.



[Electrohome.com/resources](https://www.electrohome.com/resources)



[Electrohome.com/support](https://www.electrohome.com/support)



[Electrohome.com/videos](https://www.electrohome.com/videos)



[Electrohome.com/contact](https://www.electrohome.com/contact)