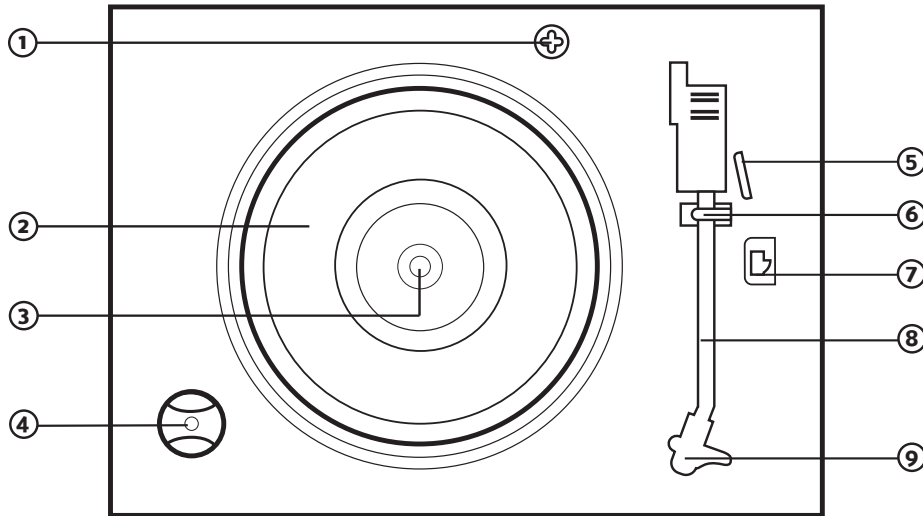


## PRODUCT INFORMATION



1. Transit Screw
2. Platter
3. Spindle
4. 45 Adapter
5. Cueing Lever
6. Tonearm Lock
7. Speed Selector (33/45/78 RPM)
8. Tonearm
9. Stylus

### IMPORTANT

*Before playing, please remove packaging foam on top and below the Turntable. Then use a screwdriver to turn the Transit Screw in a clockwise direction until the screw is fully down to unlock the Turntable*

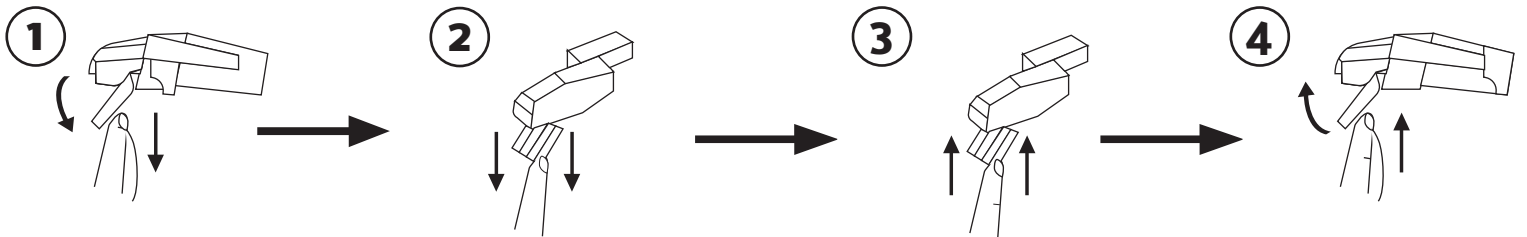
## FIRST TIME USE

1. Plug in the unit and set to Phono function
2. Rotate the Transit Screw clockwise until the screw is fully down
3. Place a record on the Platter. If playing a 7" record place the 45 Adapter on the Spindle in the center of the Platter
4. Ensure the Speed Selector is set to the proper speed (33, 45, or 78)
5. Remove the plastic stylus protector from the end of the Tonearm
6. Unlock the Tonearm Lock
7. Raise the Tonearm using the Cueing Lever
8. Position the Needle over the edge of the record
9. Lower the Tonearm using the Cueing Lever
10. The Turntable will stop spinning at end of album

**NOTE:** Always lock Tonearm when record player is not in use

## REPLACING THE NEEDLE

1. Lift the Tonearm off the Tonearm rest
2. At the front end of the Tonearm, place the tip of your finger between the gray Stylus holder and the cartridge as shown. Press down on the Stylus holder until it separates from the cartridge
3. Completely remove the worn Stylus and discard it
4. Place the new Stylus under the cartridge. First, press upward on the backside of the Stylus holder, and then press up on the front edge of the Stylus holder until it snaps into place on the cartridge



**Questions?** Give us a chance to help, we're just a click away.



[Electrohome.com/resources](https://electrohome.com/resources)



[Electrohome.com/support](https://electrohome.com/support)



[Electrohome.com/videos](https://electrohome.com/videos)



[Electrohome.com/contact](https://electrohome.com/contact)